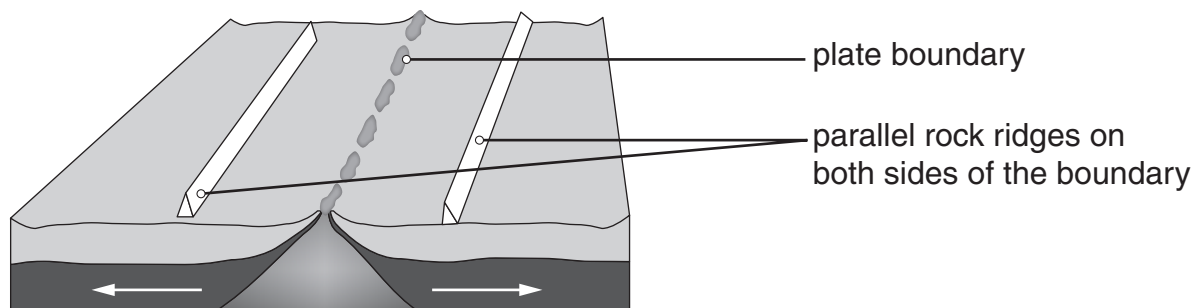


The crust of the Earth is broken into sections called tectonic plates.

The movement of these plates is responsible for a number of major geological features.



- 1** What creates the forces that cause the plates to move?
 - A gravity
 - B ocean currents
 - C the Earth orbiting the Sun
 - D heat from within the Earth

- 2** What type of plate boundary is shown in the diagram above?
 - A transverse boundary
 - B destructive boundary
 - C constructive boundary
 - D conservative boundary

- 3** Which chemicals are consumed in photosynthesis and released in respiration?
 - A oxygen and water
 - B glucose and oxygen
 - C carbon dioxide and water
 - D glucose and carbon dioxide